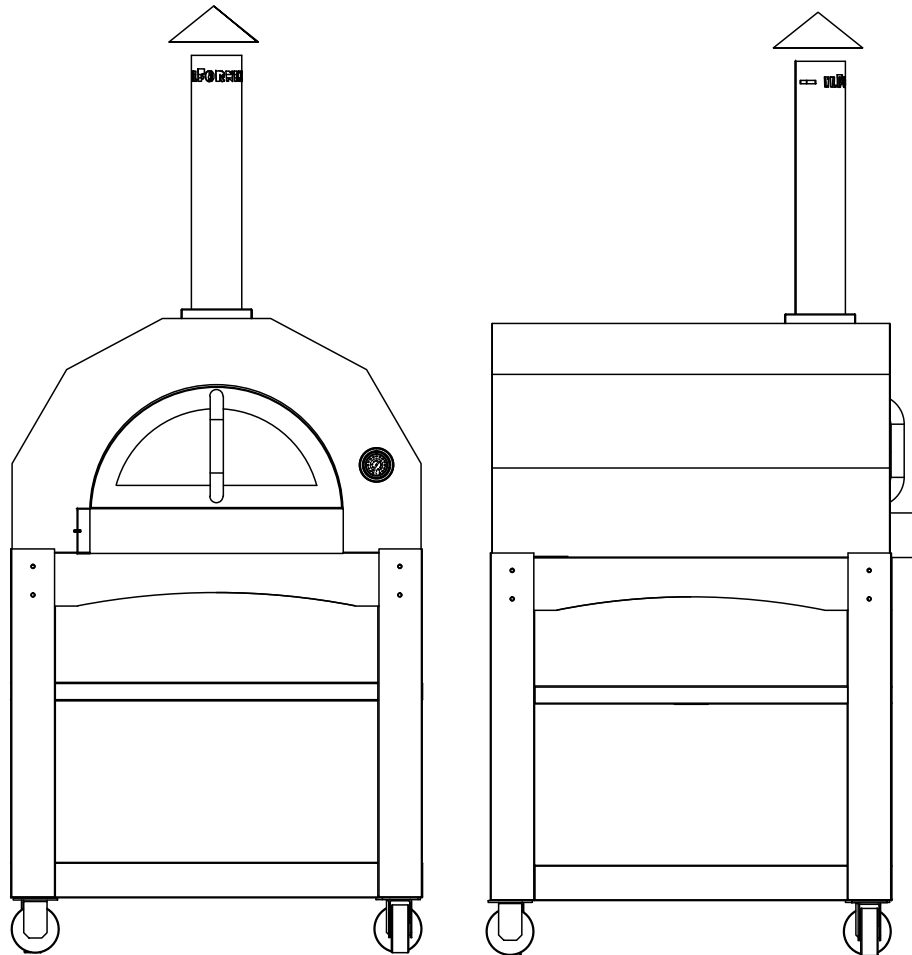


# FIAMMA ROSSA - MEDIA IF-2400



812 in<sup>2</sup> COOKING AREA



ADJUSTABLE HEIGHT  
STAND 30" - 42"



CAN BE USED AS AN  
INSERT INSTALLATION  
IN MASONRY

## SIGNATURE FEATURES

- ONE FLAT COOKING SURFACE™
- GRADE 430 STAINLESS STEEL 0.075" / 14 GAUGE
- 1.5" REFRACTORY STONE
- HEATING TIME 30 MINUTES
- WALL MOUNTED THERMOMETER
- FUEL TYPE - WOOD FIRED
- ADJUSTABLE HEIGHT STAND 30" - 42"
- 812 SQ. INCHES COOKING AREA
- 6" THICK CERAMIC FIBER BLANKET INSULATION
- 8 - 10 HOURS THERMAL MASS
- 4 - 10" PIZZA CAPACITY
- PRE-ASSEMBLED CART / STAND
- 1 YEAR WARRANTY
- GREAT FOR BAKING BREADS AND SLOW ROASTING MEATS



WWW.ILFORNINO.COM



(877) 302-6660



711 EXECUTIVE BLVD. SUITE U VALLEY COTTAGE, NY 10989

# FIAMMA ROSSA - MEDIA IF-2400



## OVEN COUNTER-TOP INSTALLATION

COUNTER SPACE WIDTH MIN.	36.25"
COUNTER SPACE DEPTH MIN.	38.25"
OVEN HEIGHT FROM COUNTER TO TOP OF CHIMNEY	48"
COUNTER SHOULD SUPPORT OVEN WEIGHT	230+ LBS.

\*\*\* CERAMIC FIBER INSULATION BOARD 1/4" - 1/2" CAN BE CUT TO FIT THE BASE OF THE OVEN TO PROTECT YOUR COUNTER-TOP.

## CLEARANCES COMBUSTIBLE / NON-COMBUSTIBLE CONSTRUCTION

CONBUSTIBLES SIDES OF OVEN	2"
CONBUSTIBLES BACK OF OVEN	2"
CONBUSTIBLES FRONT OF OVEN OPENING	36"
CONBUSTIBLES CHIMNEY CAP TO ROOF *****	24"- 36"
NON-COMBUSTIBLES SIDES OF OVEN	0"
NON-COMBUSTIBLES BACK OF OVEN	0"
NON-COMBUSTIBLES FRONT OF OVEN OPENING	36"
NON-COMBUSTIBLES CHIMNEY CAP TO ROOF *****	16"- 24"

\*\*\*\*\* CHECK WITH YOUR LOCAL BUILDING DEPARTMENT

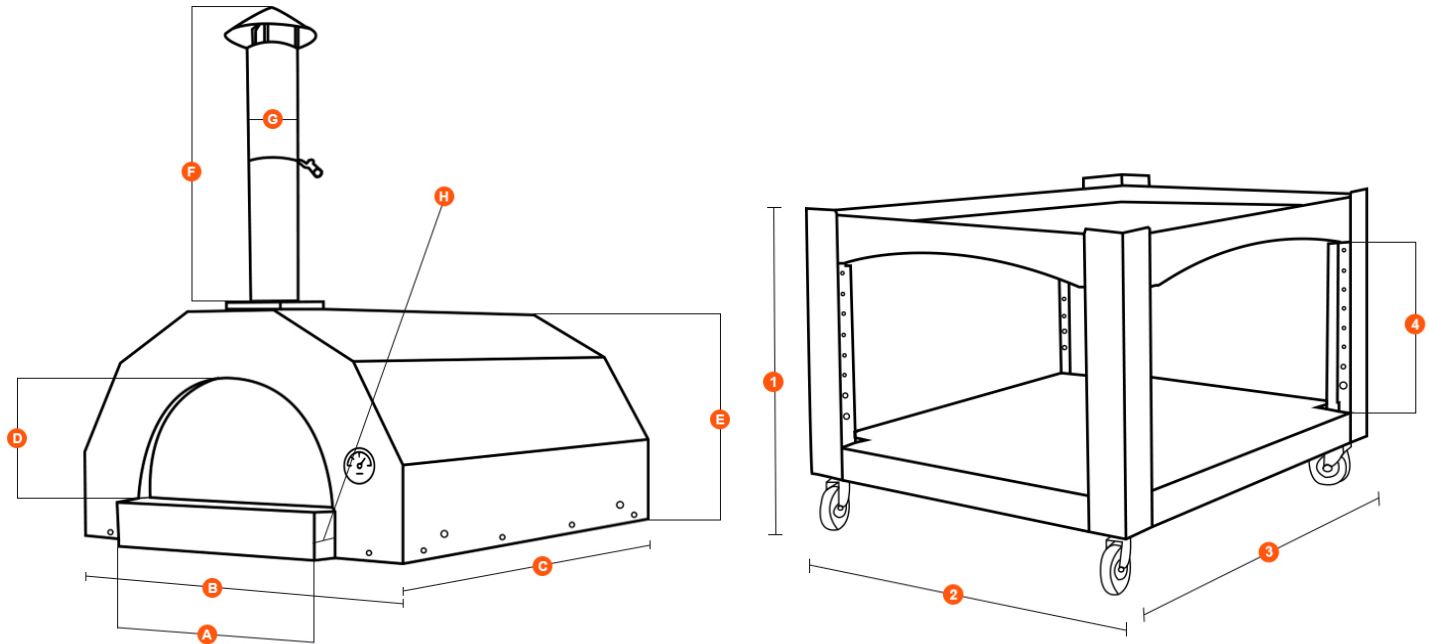
\*\*\*\*\* MAKE SURE THERE IS ADEQUATE VENTILATION IN THAT AREA, OTHERWISE USE A DOUBLE WALLED CHIMNEY EXTENSION TO GO THROUGH THE ROOF OR RE-ROUTE THE CHIMNEY TO CLEAR COMBUSTIBLES AND AVOID CARBON MONOXIDE POISONING.

## OPTIONAL ACCESSORIES

COVER FOR OVEN TOP	ITEM # IF-2400H
FULL COVER OVEN AND CART	ITEM # IF-2400F
REPLACEMENT THERMOMETER	ITEM # IF-TMO
UTILITY BRACKET SET FOR CART	ITEM # IFC332
DOUBLE WALL CHIMNEY STARTER EXTENSION 18"	ITEM # RB-SHT4SS18
DOUBLE WALL CHIMNEY EXTENSION ADAPTER STRAIGHT PIPE 36"	ITEM # RB-SHT4SS36
DOUBLE WALLED CHIMNEY 15° ADAPTER	ITEM # RB-SHT4EL15
DOUBLE WALLED CHIMNEY 30° ADAPTER	ITEM # RB-SHT4EL30
DOUBLE WALLED CHIMNEY RAIN CAP WITH SPARK ARRESTOR	ITEM # RB-SHT4RC01



# FIAMMA ROSSA - MEDIA IF-2400



## OVEN AND STAND DIMENSIONS

A. DOOR WIDTH	21.5"
B. OVEN OUTSIDE WIDTH	36.25"
C. OVEN OUTSIDE LENGTH	38.25"
D. DOOR HEIGHT	9"
E. OVEN OUTSIDE HEIGHT	21"
F. CHIMNEY HEIGHT	27"
G. CHIMNEY DIAMETER	4.5"
H. OVERHANG LIP	2.75"

<p>■ INSIDE DIMENSIONS: W X L X H</p> <p>■ 28" X 29" X 14.25"</p>	
1. STAND / CART HEIGHT - ADJUSTABLE	30" - 42"
2. STAND / CART WIDTH	36.75"
3. STAND / CART LENGTH	36"
4. SHELF HEIGHT - ADJUSTABLE	17" - 29.25"

